

**POMPA DEĞERLERİ /  
PUMP PROPERTIES**

|              |                        |
|--------------|------------------------|
| <b>Q</b>     | : 21 m <sup>3</sup> /h |
| <b>Hm</b>    | :1 ~ 15 Bar            |
| <b>T</b>     | :0 ~ 300 °C            |
| <b>n</b>     | :1500 d/d (rpm)        |
| <b>Visc.</b> | :10 ~ 55.000 cst       |



**KULLANIM ALANLARI**

- Fuel Oil Servis Tankları, Gaz Yağı, Mazot Tankerlerinde
- Reçine ve Polimerler
- Asfalt ve Bitüm
- Kağıt ve Boya Sanayinde
- Küçük çapta kızgın yağ sirkülasyonlarında
- İlaç, kimya ve deterjan sanayinde
- Gıda Sanayinde

**MALZEME SEÇENEKLERİ**

- Pompa Gövdesi, Kapaklar : Dökme (pik) demir, Sfero döküm, Çelik döküm, Paslanmaz AISI 316- AISI 316L döküm
- Dişliler : Sfero döküm, Çelik döküm, Paslanmaz AISI 316- AISI 316L döküm
- Yataklar : Snbz 12 bronz, karbon grafit, Tungsten Karbür, rulman
- Sızdırmazlık: Yumuşak Salmastra, Mekanik salmastra. Özel Kapalı Sistem, Kartuş Mekanik Salmastra

**USE AREAS**

- Fuel Oil Service Tanks, Gasoil, Diesel Tankers
- Resin and Polymer
- Asphalt and Bitumen
- Paper and Paint/dye industry
- Circulation of Hot Oil (limited)
- Medicine, Chemical and Detergent Industry
- Food Industry.

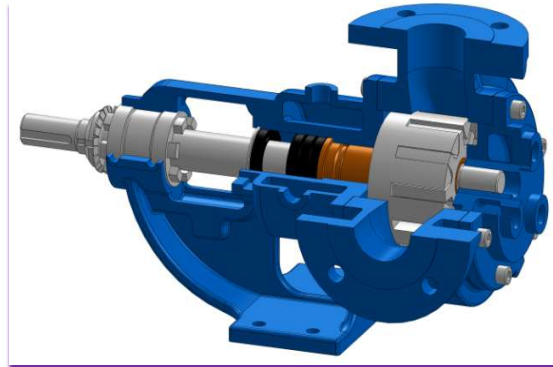
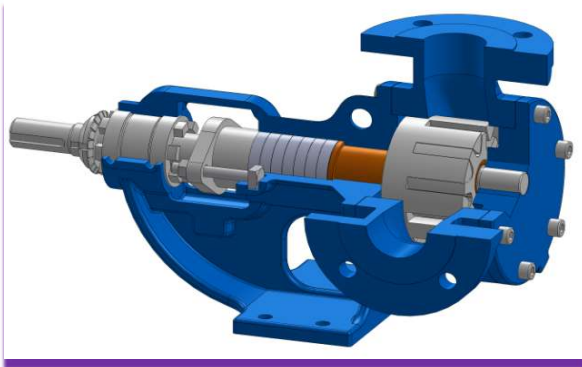
**MATERIAL OPTIONS**

- Pump Body, covers : Pig Cast Iron, Spheroidal Cast iron, Cast Steel, AISI 316/316L CrNi Stainless Steel
- Gears : Spheroidal Cast iron, Cast Steel, AISI 316/316L CrNi Stainless Steel
- Bearings: Snbz 12 bronz, carbon graphite, Tungsten carbide, bearing
- Sealing: Soft Seal or Packing Gland, Lip Seal, Mechanical Seal, Special Closed System, Cartridge Type Mechanical Seal

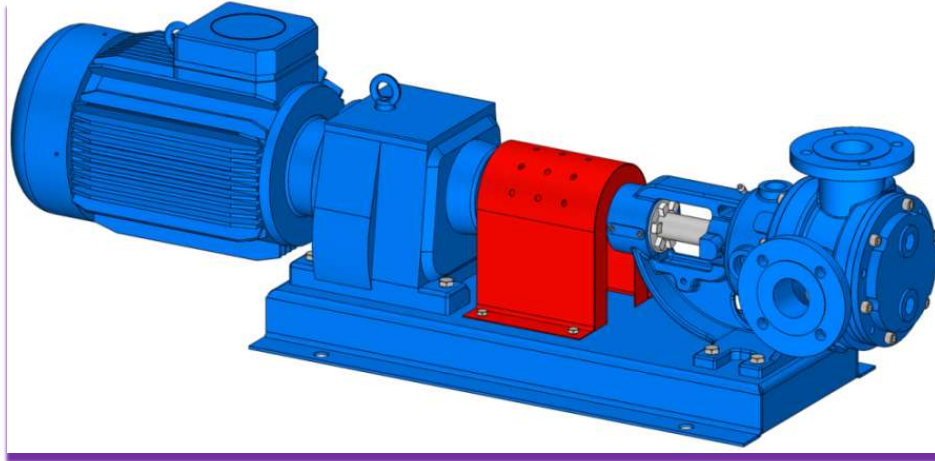
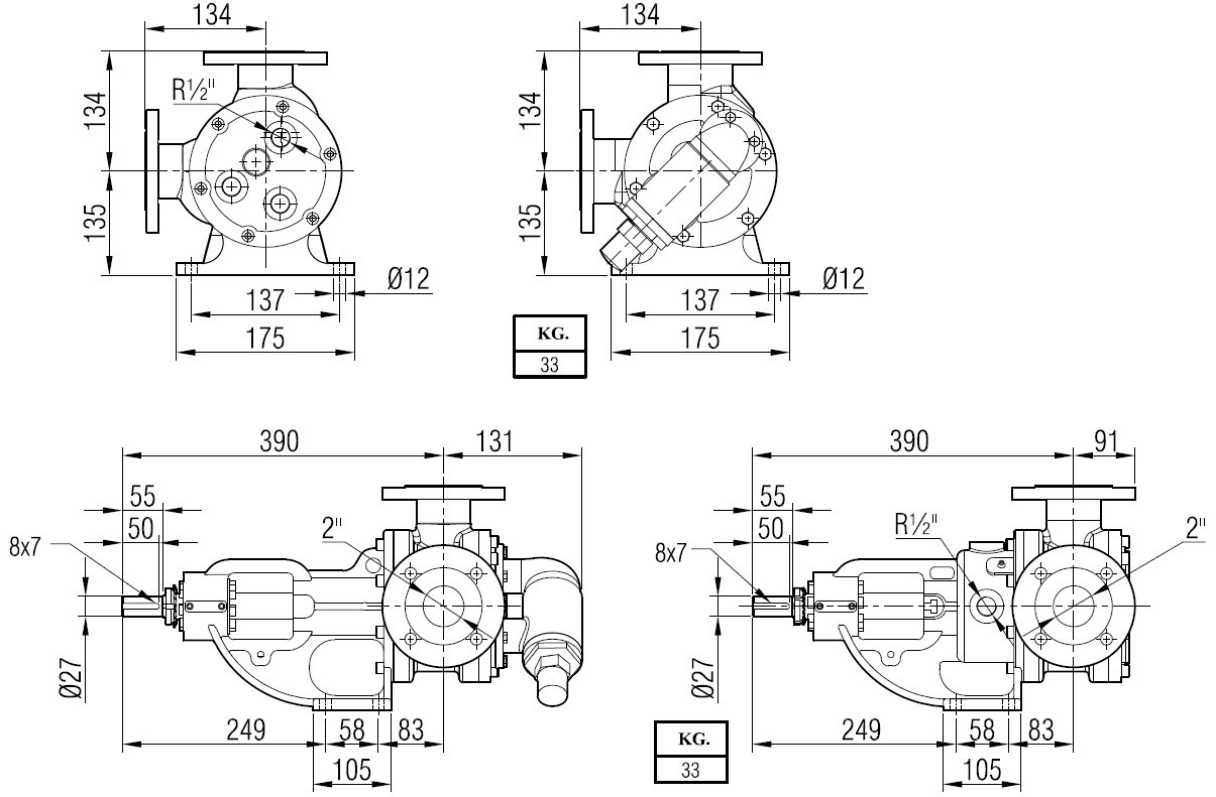
| U3 POMPASINA AİT KAPASİTE VE GÜÇ TABLOSU<br>CAPACITY AND POWER TABLE |                            |                          |         |         |         |                        |
|--|----------------------------|--------------------------|---------|---------|---------|------------------------|
| KAPASİTE(m <sup>3</sup> /h)<br>CAPACITY (Q)                          | DEVİR (d/d) SPEED<br>(rpm) | ÇIKIŞ BASINCI / PRESSURE |         |         |         | VİSKOZİTE<br>VISCOSITY |
|  |                            | 2 Bar                    | 6 Bar   | 8 Bar   | 10 Bar  |                        |
| 0,7  | 50                         | 0,37 kW                  | 0,55 kW | 0,55 kW | 0,55 kW | 55000 cst              |
| 1,1  | 80                         | 0,55 kW                  | 0,75 kW | 1,1 kW  | 1,1 kW  | 55000 cst              |
| 1,4  | 100                        | 0,75 kW                  | 1,1 kW  | 1,1 kW  | 1,5 kW  | 55000 cst              |
| 0,7  | 50                         | 0,37 kW                  | 0,55 kW | 0,55 kW | 0,55 kW | 16500 cst              |
| 1,4  | 100                        | 0,55 kW                  | 0,75 kW | 1,1 kW  | 1,1 kW  | 16500 cst              |
| 2,8  | 200                        | 1,1 kW                   | 1,5 kW  | 2,2 kW  | 2,2 kW  | 16500 cst              |
| 1,4  | 100                        | 0,55 kW                  | 0,75 kW | 1,1 kW  | 1,5 kW  | 5500 cst               |
| 2,8  | 200                        | 1,1 kW                   | 1,5 kW  | 2,2 kW  | 2,2 kW  | 5500 cst               |
| 5,5  | 400                        | 2,2 kW                   | 3 kW    | 4 kW    | 4 kW    | 5500 cst               |
| 1,8  | 125                        | 0,75 kW                  | 0,75 kW | 1,1 kW  | 1,1 kW  | 1650 cst               |
| 3,6  | 250                        | 1,1 kW                   | 1,5 kW  | 2,2 kW  | 2,2 kW  | 1650 cst               |
| 6  | 420                        | 2,2 kW                   | 3 kW    | 3 kW    | 4 kW    | 1650 cst               |
| 3,5  | 250                        | 1,1 kW                   | 1,5 kW  | 2,2 kW  | 2,2 kW  | 550 cst                |
| 6,3  | 450                        | 2,2 kW                   | 3 kW    | 3 kW    | 4 kW    | 550 cst                |
| 10,5   | 750                        | 3 kW                     | 4 kW    | 5,5 kW  | 5,5 kW  | 550 cst                |
| 6,4  | 500                        | 1,5 kW                   | 3 kW    | 3 kW    | 4 kW    | 165 cst                |
| 14,5   | 1000                       | 3 kW                     | 4 kW    | 5,5 kW  | 7,5 kW  | 165 cst                |
| 21   | 1500                       | 4 kW                     | 7,5 kW  | 7,5 kW  | 11 kW   | 165 cst                |
| 6,4  | 500                        | 1,5 kW                   | 3 kW    | 3 kW    | 4 kW    | 22 cst                 |
| 14,5   | 1000                       | 3 kW                     | 4 kW    | 5,5 kW  | 7,5 kW  | 22 cst                 |
| 21   | 1500                       | 4 kW                     | 7,5 kW  | 7,5 kW  | 11 kW   | 22 cst                 |

Tabloda bulunan veriler standart viskozitelere göre hazırlanmıştır. Tabloda bulunmayan viskozite değerleriniz için lütfen firma ile iletişime geçiniz.

The data in the table are prepared according to standard viscosities. Please contact the company for viscosity values not included in the table.

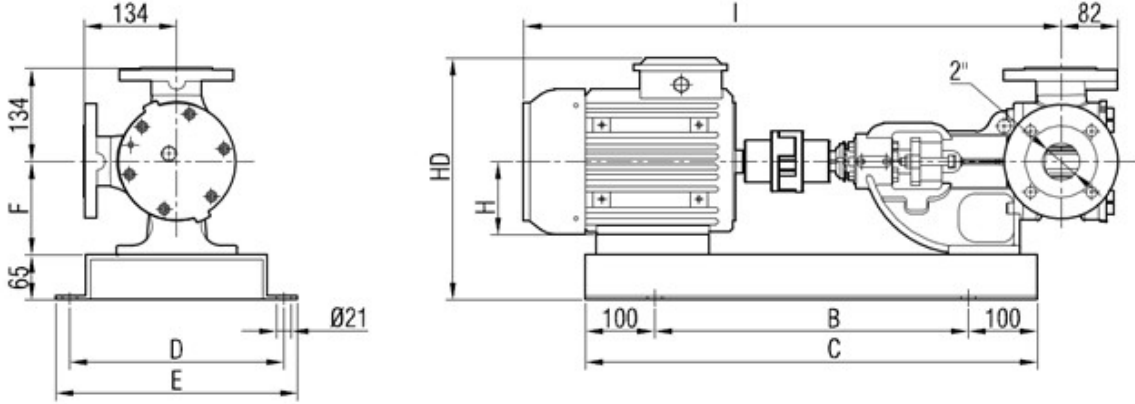


**POMPA BOYUT ÖLÇÜLERİ / PUMP DIMENSIONS**



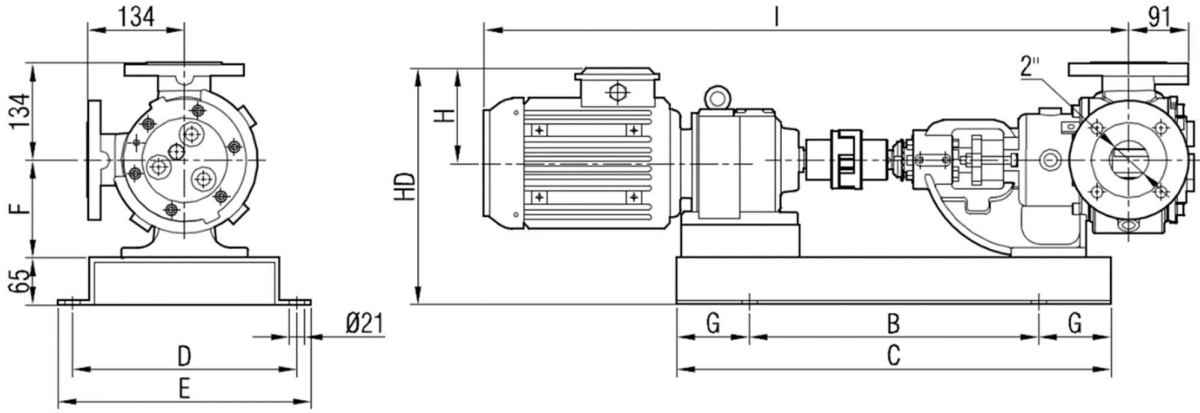
**AKUPLAJ ÖLÇÜLERİ / COUPLING DIMENSIONS**

- MOTOR AKUPELİ**  
**MOTOR DRIVE**



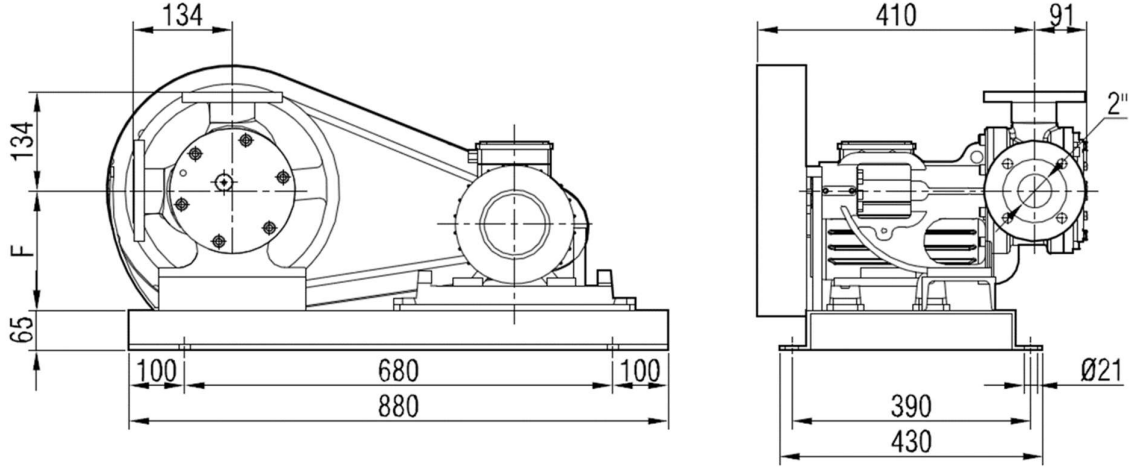
| MOTOR GÜÇ VE DEVİRLERİ / MOTOR POWER AND SPEED |                |            | I   | HD  | H   | B   | C   | D   | E   | F   | kg. |
|--|----------------|------------|-----|-----|-----|-----|-----|-----|-----|-----|-----|
| 2 hp / 1,5 kW                                  | 750 d/d (rpm)  | MOTOR 112M | 804 | 344 | 112 | 500 | 700 | 310 | 350 | 135 | 83  |
| 3 hp / 2,2 kW                                  | 1000 d/d (rpm) |            |     |     |     |     |     |     |     |     | 83  |
| 3 hp / 2,2 kW                                  | 750 d/d (rpm)  | MOTOR 132S | 865 | 367 | 132 | 580 | 780 | 380 | 420 |     | 92  |
| 4 hp / 3 kW                                    | 1000 d/d (rpm) |            |     |     |     |     |     |     |     |     | 93  |
| 4 hp / 3 kW                                    | 750 d/d (rpm)  | MOTOR 132M | 903 |     |     |     |     |     |     |     | 100 |
| 5,5 hp / 4 kW                                  | 1000 d/d (rpm) |            |     |     |     |     |     |     |     |     | 104 |

• **REDÜKTÖR AKUPLELİ**  
**GEARBOX DRIVE**

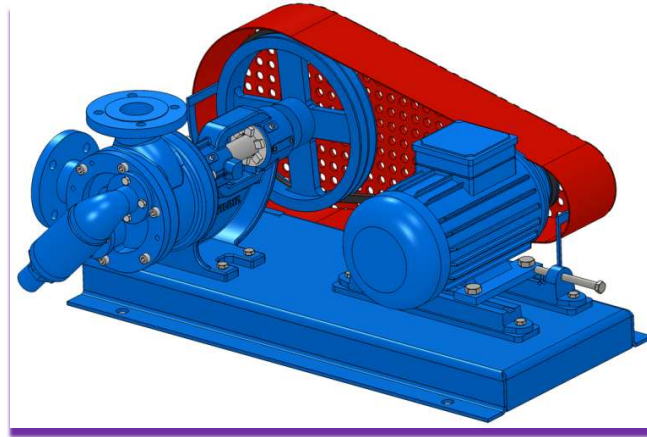


| MOTOR GÜÇ VE DEVİRLERİ / MOTOR POWER AND SPEED |                             |             | I    | HD  | H   | B   | C   | D   | E   | F   | G   | kg. |
|--|-----------------------------|-------------|------|-----|-----|-----|-----|-----|-----|-----|-----|-----|
| 1 hp / 0,75 kW                                 | 90/400 d/d (rpm)            | İRAP42/80   | 860  | 314 | 118 | 430 | 550 | 260 | 300 |     | 60  | 83  |
| 2 hp / 1,5 kW                                  | 105/450 d/d (rpm)           | İRAP52/90L  | 931  | 327 | 132 | 420 | 620 |     |     |     |     | 83  |
| 4 hp / 3 Kw                                    | 280/600 d/d (rpm)           | İRAP52/100L | 982  | 336 |     |     |     |     |     |     |     | 92  |
| 3 hp / 2,2 kW-<br>4 hp / 3 kW                  | 50/234 -65/570<br>d/d (rpm) | İRAP62/100L | 1038 | 330 | 141 | 520 | 720 | 310 | 350 | 135 | 100 | 93  |
| 5,5 hp / 4 kW                                  | 87/570 d/d (rpm)            | İRAP62/112M | 1059 | 338 | 149 |     |     |     |     |     |     | 100 |
|  |                             |             |      |     |     |     |     |     |     |     |     | 104 |

• **KAYIŞ KASNAK AKUPLELİ POMPA ÖLÇÜLERİ**  
**BELT PULLEY COUPLING PUMP DIMENSIONS**

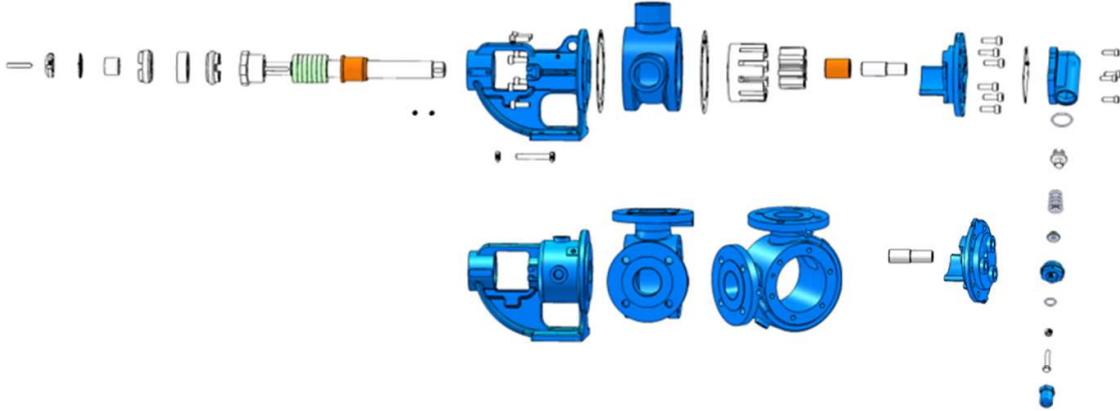


| MOTOR GÜÇ VE DEVİRLERİ /<br>MOTOR POWER AND SPEED |            | Pompa Devirleri /<br>Pump Speeds |           |           |           | F <sub>(1)</sub> | F <sub>(2)</sub> | F <sub>(3)</sub> | F <sub>(4)</sub> | kg. |
|---|------------|----------------------------------|-----------|-----------|-----------|------------------|------------------|------------------|------------------|-----|
|   |            | n1<br>d/d                        | n2<br>d/d | n3<br>d/d | n4<br>d/d |                  |                  |                  |                  |     |
| 3 hp / 2,2 kW                                     | MOTOR 100L |                                  |           |           |           |                  |                  |                  |                  | 120 |
| 4 hp / 3 Kw                                       | MOTOR 100L |                                  |           |           |           |                  |                  |                  |                  | 130 |
| 5,5 hp / 4 kW                                     | MOTOR 112M | 450                              | 400       | 350       | 310       | 135              | 190              | 190              | 245              | 135 |
| 7,5 hp / 5,5 kW                                   | MOTOR 132S |                                  |           |           |           |                  |                  |                  |                  | 145 |
| 10 hp / 7,5 Kw                                    | MOTOR 132M |                                  |           |           |           |                  |                  |                  |                  | 155 |



**YEDEK PARÇA LİSTESİ / SPARE PARTS LIST**

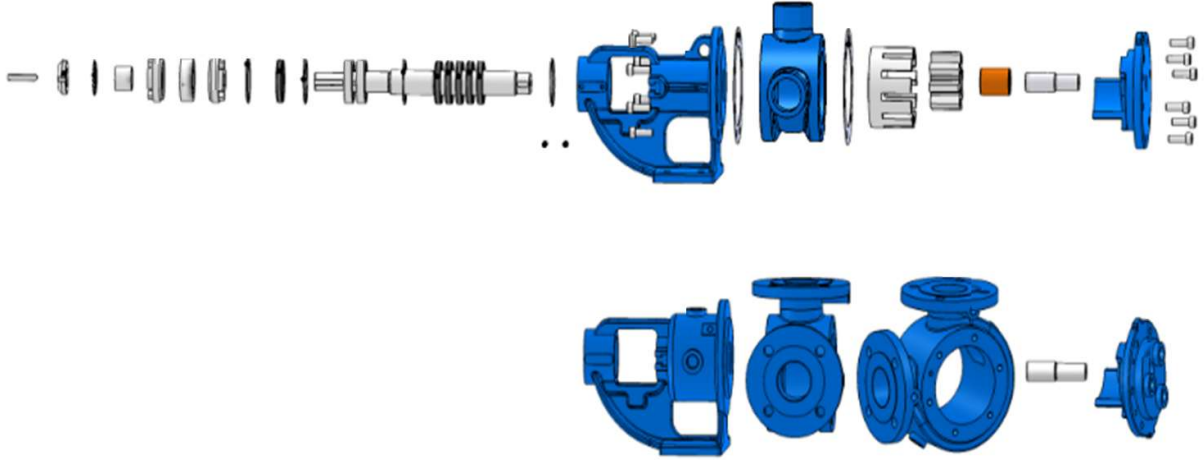
- **YUMUŞAK SALMASTRALI**  
**SEALED WITH SOFT SEAL**



- **MEKANİK SALMASTRALI**  
**SEALED WITH MECHANICAL SEAL**



- **KEÇELİ**  
**SEALED WITH LIP SEAL**



- **KARTUŞ MEKANİK SALMASTRALI**  
**SEALED WITH CARTRIDGE MECHANICAL SEAL**

