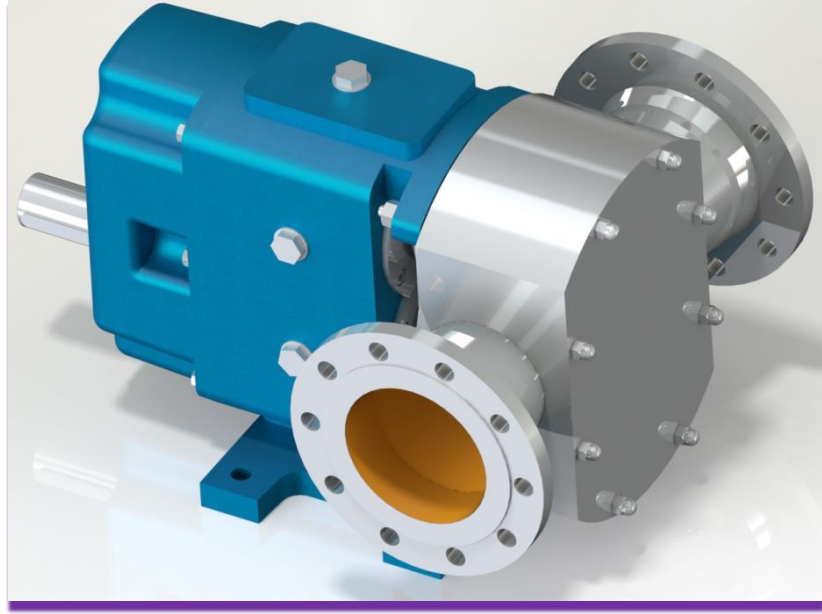


**POMPA DEĞERLERİ /**  
**PUMP PROPERTIES**

<b>Q</b>	:106,5 m <sup>3</sup> /h
<b>Hm</b>	:1 ~ 7 Bar
<b>T</b>	:0 ~ 150 °C
<b>n</b>	:1 ~ 500 d/d
<b>Visc.</b>	:35 ~ 55000 cst



**KULLANIM ALANLARI**

- Gıda Sanayinde (Çikolata, Şeker Şurubu, Krema, Melas)
- Kimya Sanayinde (İlaç, Deterjan, Sabun, Kozmetik kremler)
- Boya Sanayinde
- Kağıt Sanayinde
- Jeller, Gres...

**MALZEME SEÇENEKLERİ**

- Rulman Gövdesi ve Kapağı : Pk.
- Lob Yuvası, Lob Kapağı ve loblar: Çelik döküm, paslanmaz AISI 304 / 316 döküm
- Yataklar : Rulman
- Sızdırmazlık: Mekanik salmastra, keçe

**USE AREAS**

- Food Industry (Chocolate, Sugar Syrup, Cream, Molasses)
- Chemical Industry (Drugs, Detergents, Soap, Cosmetic creams)
- Paint Industry
- Pulp & Paper Industry
- Gels, Greases

**MATERIAL OPTIONS**

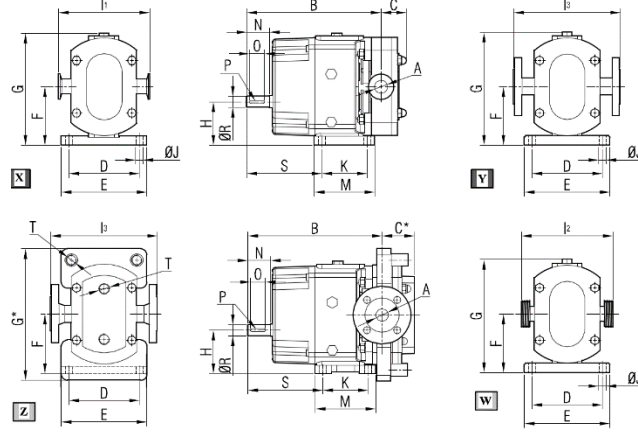
- Bearing Body and Cover : Cast iron.
- Lobe Casing, Lobe cover and Lobes: Steel cast, stainless AISI 304 / 316 cast
- Bearings: Bearing
- Sealing: Mechanical seal, lip seal

L1570 POMPASINA AİT KAPASİTE VE GÜÇ TABLOSU CAPACITY AND POWER TABLE						
KAPASİTE(m <sup>3</sup> /h) CAPACITY (Q)	DEVİR (d/d) SPEED (rpm)	ÇIKIŞ BASINCI / PRESSURE				VİSKOZİTE VISCOSITY
		3 Bar	6 Bar	9 Bar	12 Bar	
4,7	22,5	2,2 kW	3 kW	4 kW	5,5 kW	55000 cst
7,7	37,5	4 kW	5,5 kW	7,5 kW	9 kW	55000 cst
10,7	52,5	5,5 kW	7,5 kW	9 kW	11 kW	55000 cst
15	75	5,5 kW	7,5 kW	9 kW	11 kW	20000 cst
25	125	11 kW	11 kW	15 kW	18,5 kW	20000 cst
35	175	15 kW	18,5 kW	22 kW	30 kW	20000 cst
20	75	5,5 kW	7,5 kW	9 kW	11 kW	3500 cst
25	125	11 kW	15 kW	18,5 kW	22 kW	3500 cst
30	175	15 kW	18,5 kW	22 kW	30 kW	3500 cst
30	150	5,5 kW	7,5 kW	9 kW	11 kW	550 cst
50	250	11 kW	18,5 kW	22 kW	30 kW	550 cst
70	350	18,5 kW	22 kW	30 kW	37 kW	550 cst
27	150	5,5 kW	7,5 kW	9 kW	11 kW	110 cst
49	250	9 kW	11 kW	18,5 kW	22 kW	110 cst
71	350	15 kW	18,5 kW	22 kW	30 kW	110 cst
25	150	7,5 kW	9 kW	11 kW	15 kW	35 cst
47	250	11 kW	15 kW	18,5 kW	22 kW	35 cst
69	350	18,5 kW	22 kW	30 kW	37 kW	35 cst

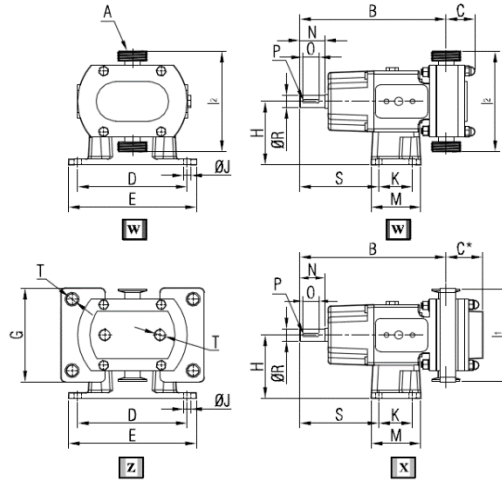
Tabloda bulunan veriler standart viskozitelere göre hazırlanmıştır. Tabloda bulunmayan viskozite değerleriniz için lütfen firma ile iletişime geçiniz.

*The data in the table are prepared according to standard viscosities. Please contact the company for viscosity values not included in the table.*

**POMPA BOYUT ÖLÇÜLERİ / PUMP DIMENSIONS**



POMPA KODU	A	B	B*	C	C*	D	E	F	G	G*	H	I <sub>1</sub>	I <sub>2</sub>	I <sub>3</sub>	J	K	M	N	O	P	R	S	T	kg.
L1570	DN150	591	605	120	149	300	360	228	444	472	158	-	-	542	21	210	270	100	85	16x10	55	315	1"	246



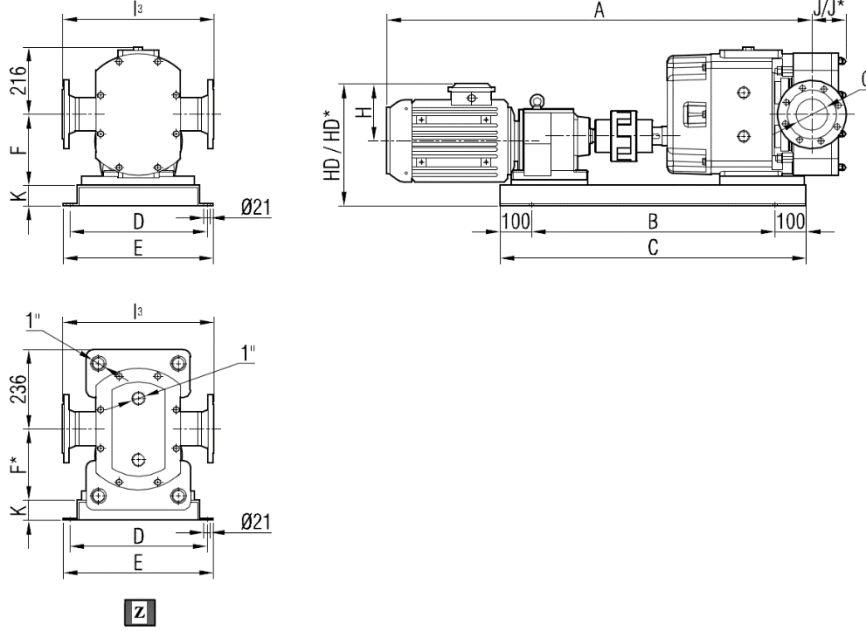
POMPA KODU	A	B	B*	C	C*	D	E	G	H	I <sub>1</sub>	I <sub>2</sub>	J	K	M	N	O	P	R	S	T	kg.
L1570	DN125	591	605	120	148	340	380	333	290	316	352	17	159	280	100	85	16x10	55	198	1"	255
	DN150	396	440																		

Paslanmaz ve exproof durumunda ölçülerin değişim hakkı firmamızda saklıdır. Bilgi için lütfen firma ile iletişime geçiniz.

*When it is stainless and exproof, our company reserves the right to change the measurement. For more information, please contact the company.*

**AKUPLAJ ÖLÇÜLERİ / COUPLING DIMENSIONS**

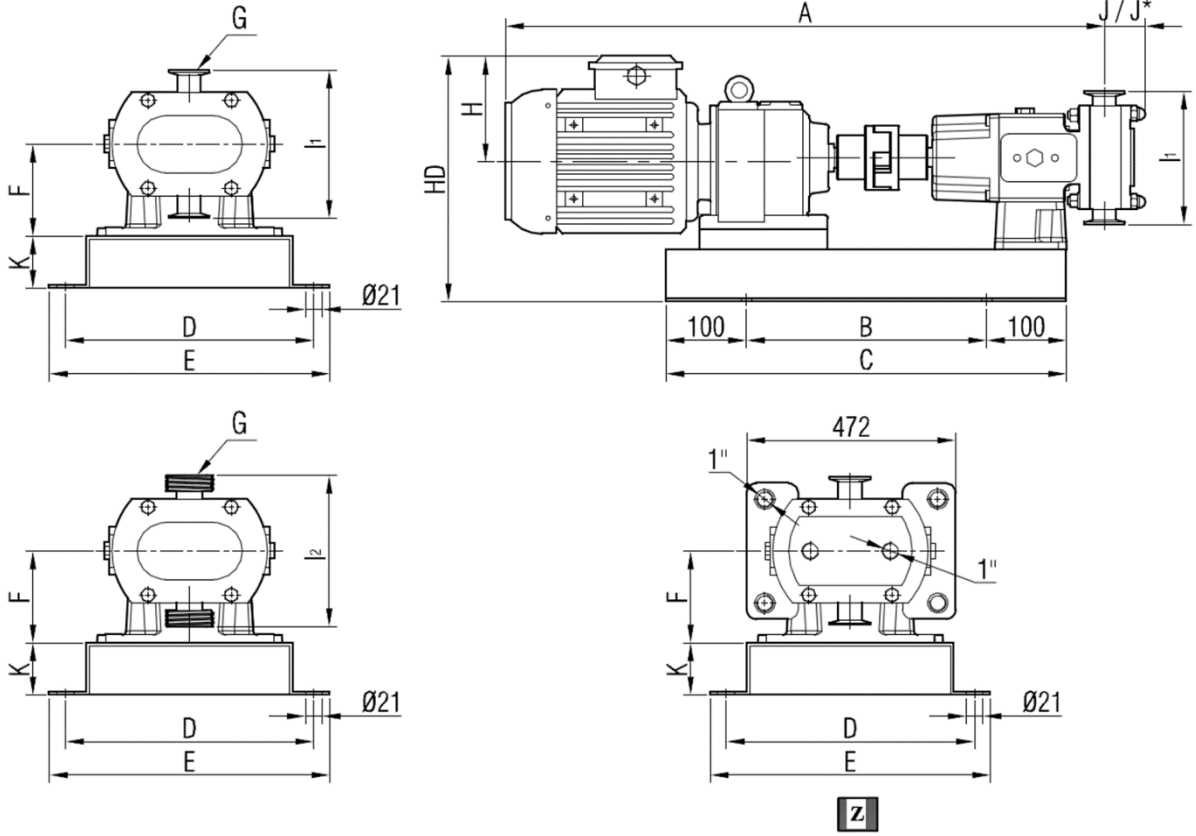
- **REDÜKTÖR AKUPELİ**  
**GEARBOX DRIVE**



POMPA KODU	G	l <sub>3</sub>	J	J*
L1570	DN150	542	120	148

MOTOR GÜÇ VE DEVİRLERİ / MOTOR POWER AND SPEED			A	HD	HD*	H	B	C	D	E	F	F*	K	kg.
15 hp / 11 kW	43/105 d/d (rpm)	İRAM92/160M	1592	493	493	225	960	1160	510	550	295	295	65	525
20 hp / 15 kW	68/127 d/d (rpm)	İRAM92/160L	1636					1160						
20 hp / 15 kW	131/380d/d (rpm)	İRAM82/160L	1559	457	502		850	1050	440	480	250			530
25 hp / 18,5 kW	50/93 d/d (rpm)	İRAM103/180M	1717	542	542	248	1060	1260	550	590	321	321	105	704
25 hp / 18,5 kW	85/223 d/d (rpm)	İRAM92/180M	1650	516	516		960	1160	510	550	295	295	65	577
20 hp / 15 kW	237/456 d/d (rpm)	İRAM82/180M	1571	480	525		850	1050	440	480	250	295		550
30 hp / 22 kW	55/93 d/d (rpm)	İRAM103/180L	1755	542	542		1060	1260	550	590	321	321	105	729
30 hp / 22 kW	105/464 d/d (rpm)	İRAM92/180L	1684	516	516	960	1160	510	550	295	295	65	602	

• **REDÜKTÖR AKUPLELİ**  
**GEARBOX DRIVE**



MOTOR GÜÇ VE DEVİRLERİ / MOTOR POWER AND SPEED			A	HD	H	B	C	D	E	F	K	kg.
15 hp / 11 kW	43/105 d/d (rpm)	İRAM92/160M	1592	559	225	900	1100	560	600	290	65	539
20 hp / 15 kW	68/127 d/d (rpm)	İRAM92/160L	1636			800	1000					571
20 hp / 15 kW	131/380d/d (rpm)	İRAM82/160L	1559	556	248	1000	1200	600	640		105	734
25 hp / 18,5 kW	50/93 d/d (rpm)	İRAM103/180M	1717	622		900	1100	560	600		65	591
25 hp / 18,5 kW	85/223 d/d (rpm)	İRAM92/180M	1650	581	246	800	1000	560	600		105	569
20 hp / 15 kW	237/456 d/d (rpm)	İRAM82/180M	1571	579		1000	1200					600
30 hp / 22 kW	55/93 d/d (rpm)	İRAM103/180L	1755	622	248	900	1100	560	600		65	616
30 hp / 22 kW	105/464 d/d (rpm)	İRAM92/180L	1684	587		800	1000					600

**YEDEK PARÇA LİSTESİ / SHARE PARTS LIST**

